

# LTC 9213/01 Pole Mount Adapter

www.boschsecurity.com



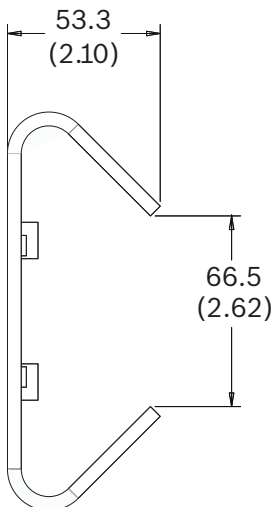
**BOSCH**  
Invented for life



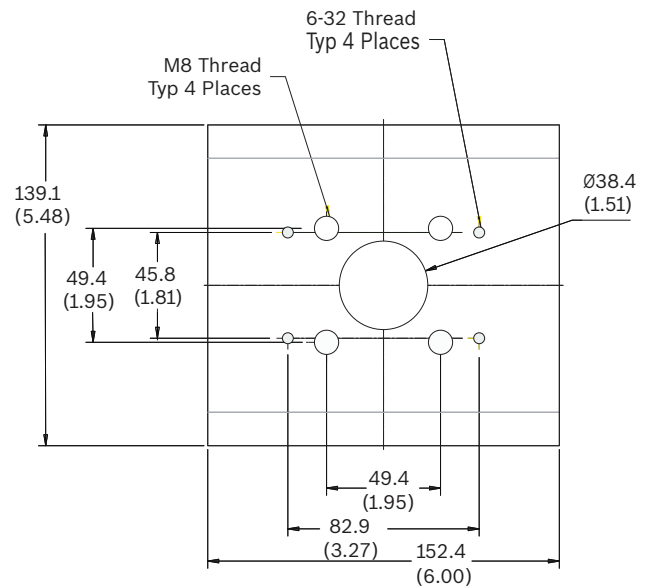
- ▶ Easy installation
- ▶ Sturdy construction

This adapter allows the installation of indoor/outdoor wall mounts to a pole capable of supporting the total weight of equipment installed (maximum 9 kg or 20 lb). The pole can range from 76 mm (3 inch) to 381 mm (15 inch) in diameter.

## Installation/configuration notes



mm  
(in)



## Parts included

The packaging contains:

	Item
1x	Mount adapter
4x	Screw, hex head, M8 x 25
4x	Washer; spiral lock, M8
1x	Screw, oval head, # 6-32

### Technical specifications

Width	152.4 mm (6 in)
Height	139.1 mm (5.48 in)
Depth	53.3 mm (2.1 in)
Length of strap	3 m (10 ft)
Pole width (max)	381 mm (15 in)
Pole width (min)	76 mm (3 in)
Weight	0.5 kg (1 lb)
Finish	Light gray
Material (mount)	Aluminum alloy
Material (strap)	Steel

### Ordering information

#### LTC 9213/01 Pole Mount Adapter

Flexible pole mount adapter for camera mounts (use together with the appropriate wall mount bracket).  
Max. 9 kg (20 lb); 3 to 15 inch diameter pole; stainless steel straps  
Order number **LTC 9213/01**

#### Represented by:

##### Americas:

Bosch Security Systems, Inc.  
130 Perinton Parkway  
Fairport, New York, 14450, USA  
Phone: +1 800 289 0096  
Fax: +1 585 223 9180  
security.sales@us.bosch.com  
www.boschsecurity.us

##### Europe, Middle East, Africa:

Bosch Security Systems B.V.  
P.O. Box 80002  
5617 BA Eindhoven, The Netherlands  
Phone: + 31 40 2577 284  
Fax: +31 40 2577 330  
emea.securitysystems@bosch.com  
www.boschsecurity.com

##### Asia-Pacific:

Robert Bosch (SEA) Pte Ltd, Security Systems  
11 Bishan Street 21  
Singapore 573943  
Phone: +65 6571 2808  
Fax: +65 6571 2699  
apr.securitysystems@bosch.com  
www.boschsecurity.asia

##### China:

Bosch (Shanghai) Security Systems Ltd.  
203 Building, No. 333 Fuquan Road  
North IBP  
Changning District, Shanghai  
200335 China  
Phone +86 21 22181111  
Fax: +86 21 22182398  
www.boschsecurity.com.cn

##### America Latina:

Robert Bosch Ltda Security Systems Division  
Via Anhanguera, Km 98  
CEP 13065-900  
Campinas, Sao Paulo, Brazil  
Phone: +55 19 2103 2860  
Fax: +55 19 2103 2862  
latam.boschsecurity@bosch.com  
www.boschsecurity.com