

AMG210C MEDIA CONVERTER 19-INCH RACK CHASSIS



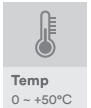
Commercial Ethernet Solutions

The AMG210C Media Converter Rack allows up to 12 Commercial Mini Media Converters to be mounted into a 19" rack quickly and easily.

The ultra low 1U profile allows for very high rack density saving valuable space within the typical 19inch rack environment.



Mounting
Rack



Temp
0 ~ +50°C



PSU
x2 Dual

[AMG210C*]

/ OVERVIEW

The AMG210C rack chassis supports all non-PoE models from the AMG210M Commercial Mini Media Converter range including 100Mb, 1Gb and 10Gb models.

Each rack supports up to 12 mini media converters and occupies only 1U of rack space within the equipment cabinet offering the highest media converter rack density within the industry for space restricted installations.

The rack ships as standard with dual power supplies to provide redundancy and supports hot-swappable replacement of both Media Converters and Power Supplies.

The included dual redundant power supplies support full range 90-264V_{AC} input for international operation.

/ FEATURES

- Up to 12 slots for Commercial Mini Media Converters
- 19inch standard rack-mount size and only 1U high
- Hot-swappable replacement of Media Converters and Power Supplies
- Two redundant Power Supplies with two cooling fans
- Front & rear LED indication for power supply and fan operation to aid installation and system fault diagnosis
- Compatible with any AMG210M series non-PoE mini media converter (100Mb, 1Gb or 10Gb models)
- AMG 3 Year Support Warranty

* Individual media converters not included

Specifications.

Interface.

LED Indicators	2x Power 2x Fan Operational
Capacity	12 Units
Power Input	2x IEC C14 sockets
Power Output	12x 2.1mm Plugs

Power.

Operating Voltage	2x 90~264V _{AC} , 50~60Hz Dual Hot-swappable PSU's (2 x PSU's Included)
Input Current	1.8A (110V _{AC}) / 1A (230V _{AC})
Efficiency	>84%
Output	12x 12V _{DC} , 60W max

Environmental.

Operating Temp.	0°C to 50°C
Storage Temp.	-20°C to 70°C
Humidity	10% to 90% (non-condensing)
MTBF	100,819 hours
MTBF Standard	Telcordia SR-332 GB 25°C
Heat Dissipation	205 BTU/h (with Max Load)
Cooling	2x Cooling Fans
Airflow	Front to Back
Noise Level	47 dBA

Mechanical.

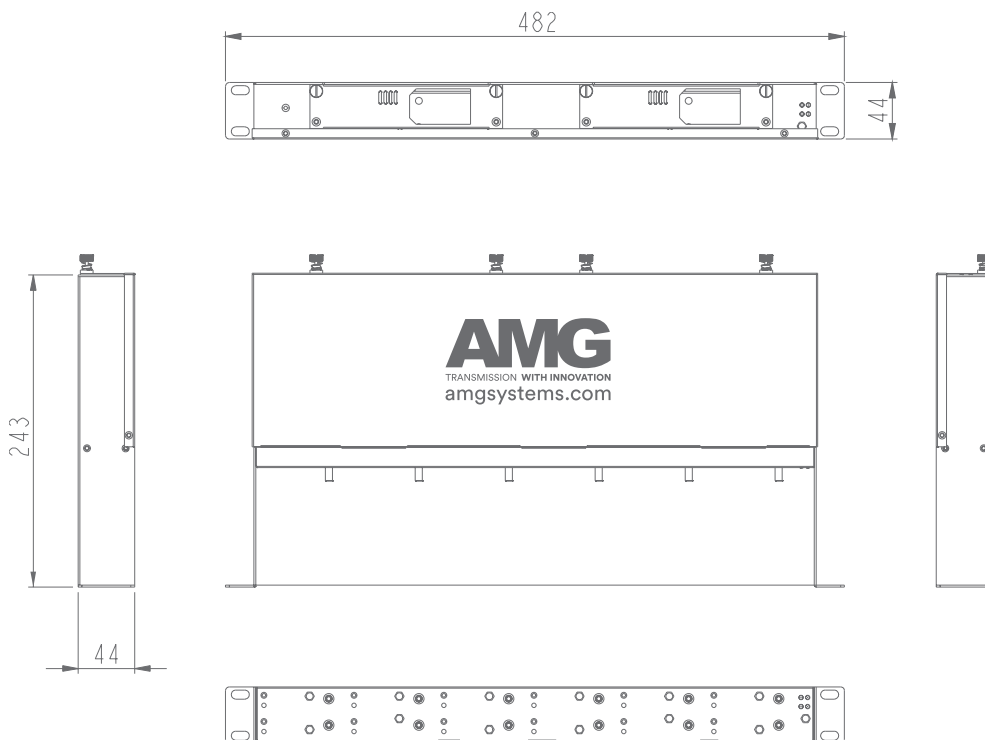
Housing Dimensions	Metal (W x D x H) <small>Excluding 19inch Brackets</small> 440 x 243 x 44 mm 17.32 x 9.57 x 1.73 in
IP Rating	IP30
Installation	19inch Rack (1U) or Desktop
Weight	3.2kg / 7.05lb (with dual PSU's installed)

Packaging.

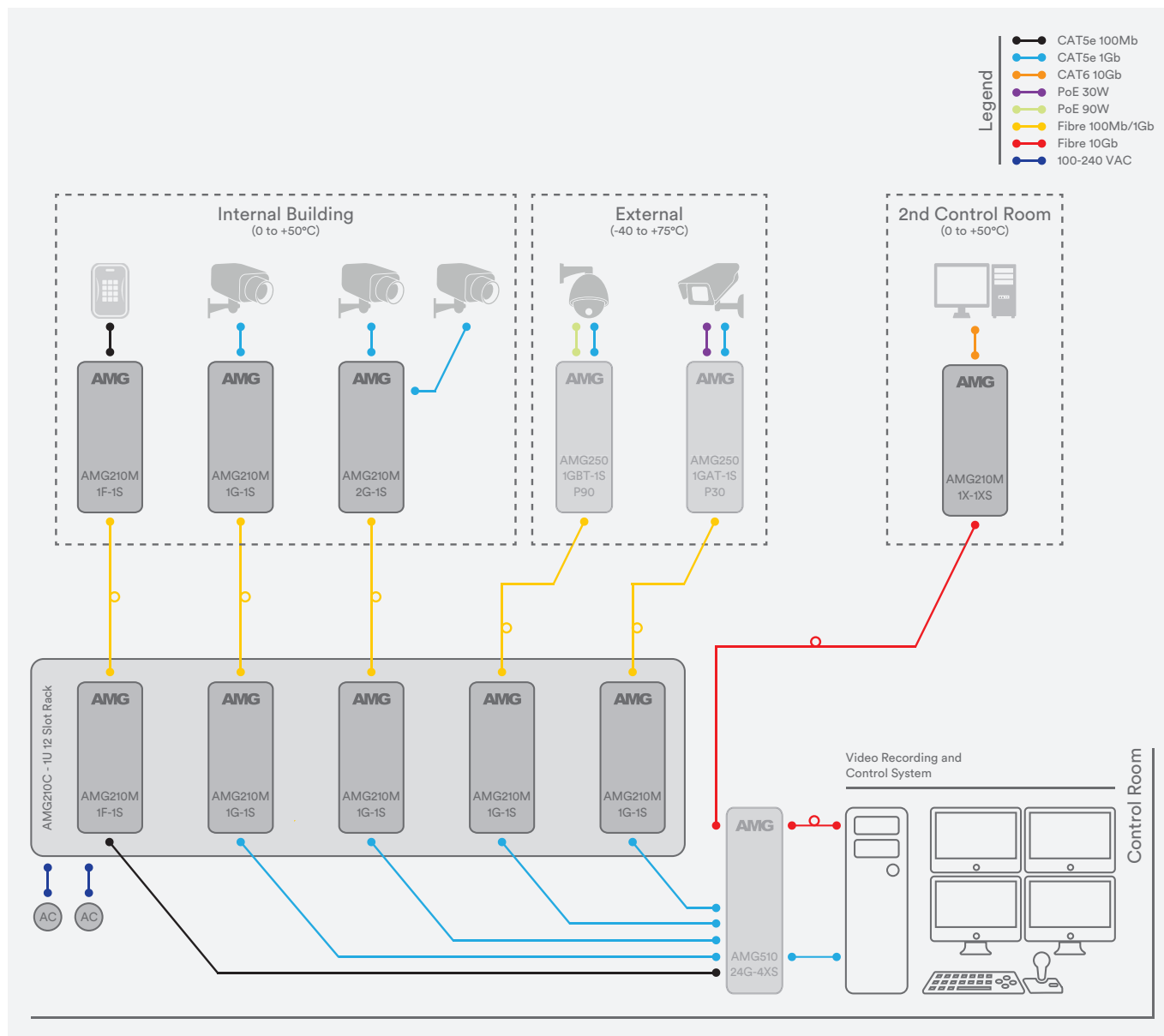
Shipping Weight	4.10kg / 9.04lb
Dimensions	(W x D x H) 538 x 345 x 85 mm 21.18 x 13.58 x 3.35 in

Regulatory.

Safety	IEC/BS/EN 62368-1 (UKCA)
EMI	EN55032 Class B EN55035, EN55024 FCC Part 15 Class B
EMS	EN61000-3-2 EN61000-3-3
Environmental	Reach, RoHS, WEEE



Application Diagram.



Part Numbers.

AMG210C	12 slot rack chassis 19inch 1U high with dual 90-264V _{AC} 60W PSU's
AMG210C-ACPSU	Spare 90-264V _{AC} 60W PSU for AMG210C rack

Notes.

- Included Accessories: 2 x Fixing kits for media converters, 2 x Region specific line cords (UK / EU / US plug type, depending on region)
 1 x Screwdriver with magnetic tip (to aid media converter installation)
- NB: AMG210C rack is only compatible with the non-PoE AMG210M series Mini Media Converter models

In a continuing effort to improve and advance technology, product specifications are subject to change without notice. Please visit www.amgsystems.com for the latest product specifications.