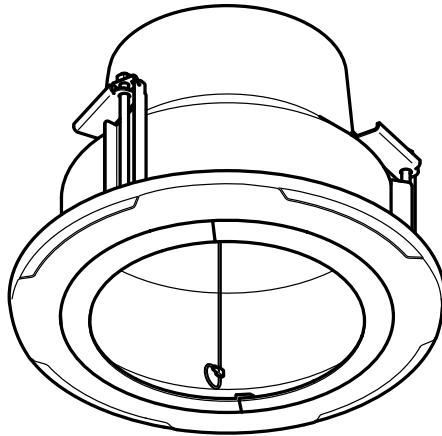
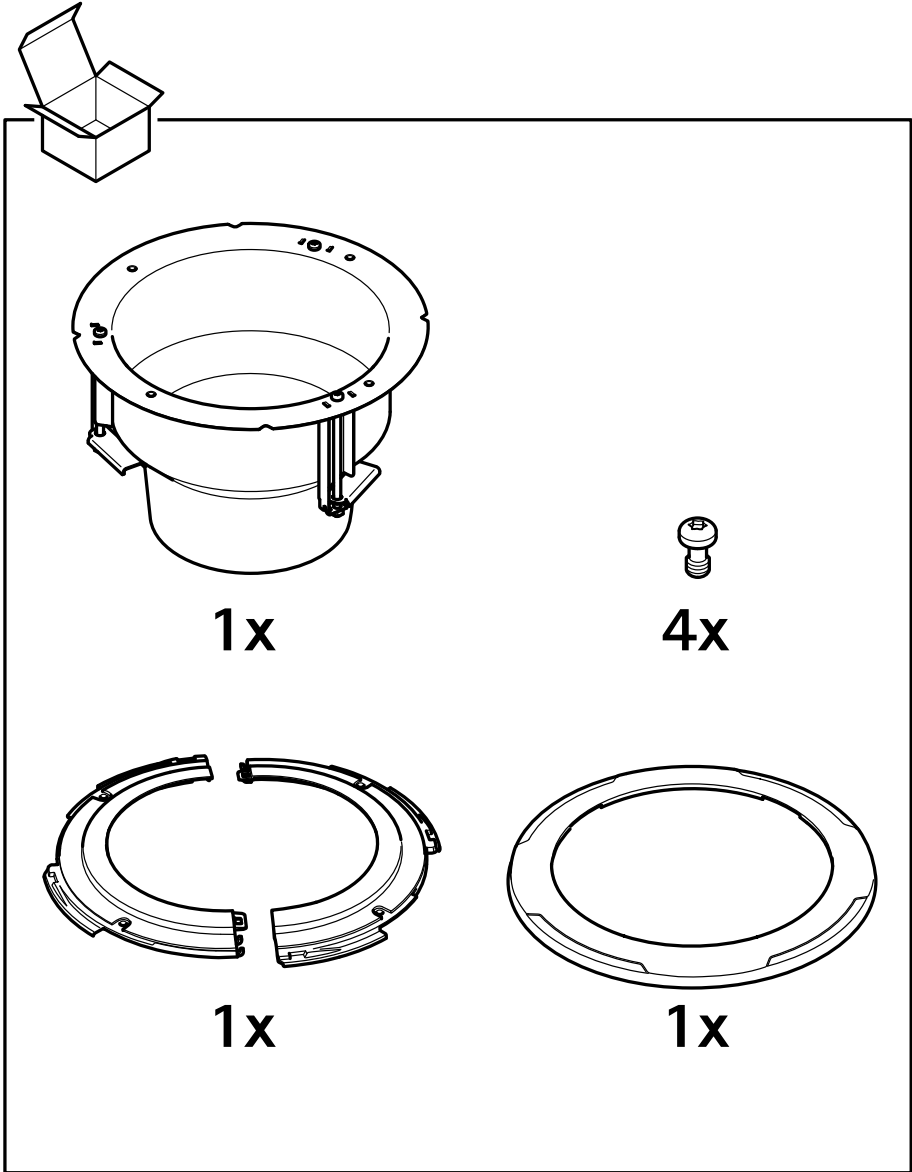


AXIS TQ6201-E Recessed Mount

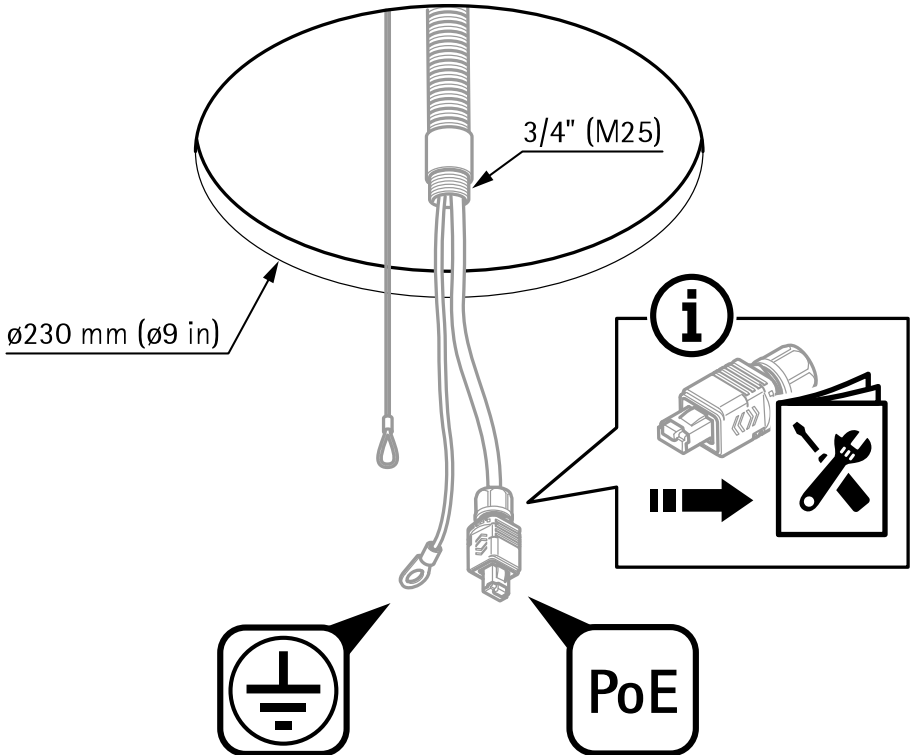
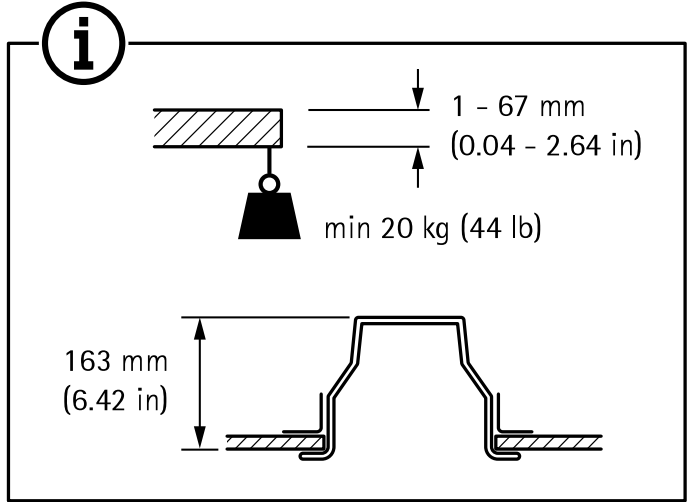


Installation Guide

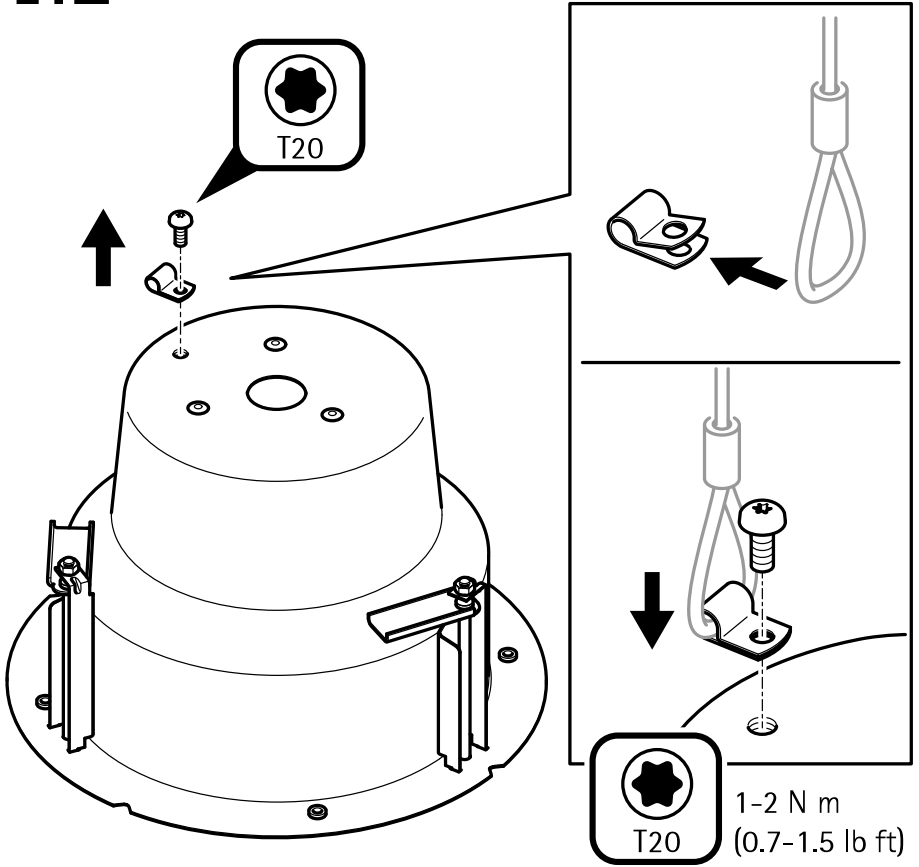
AXIS TQ6201-E Recessed Mount



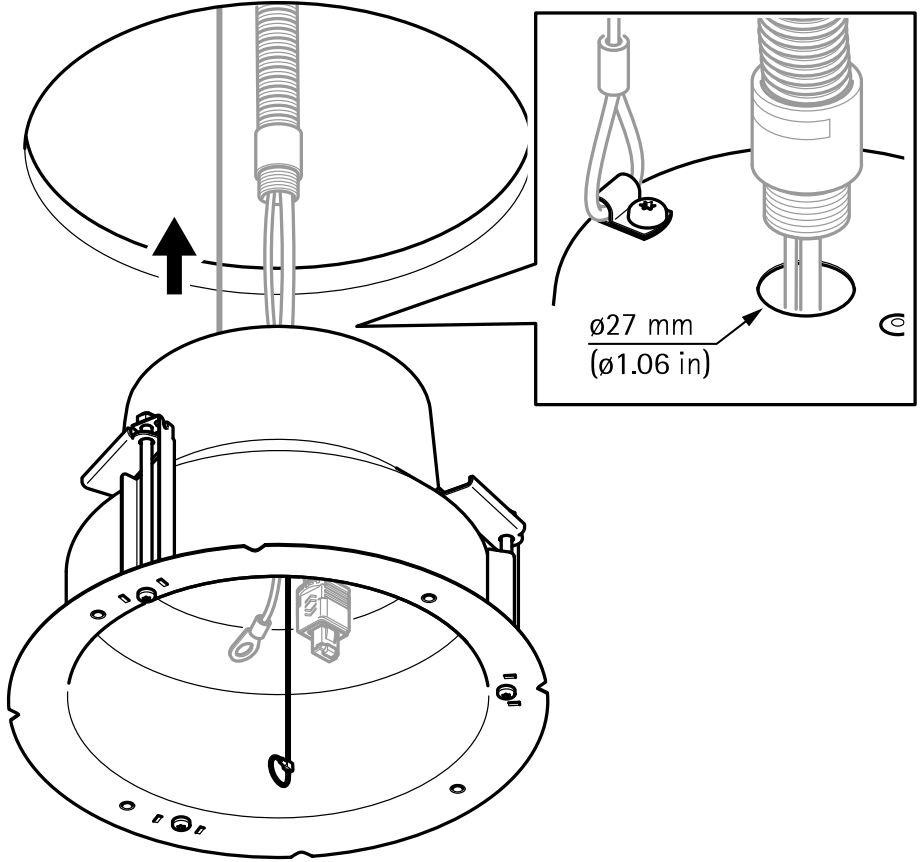
1.1



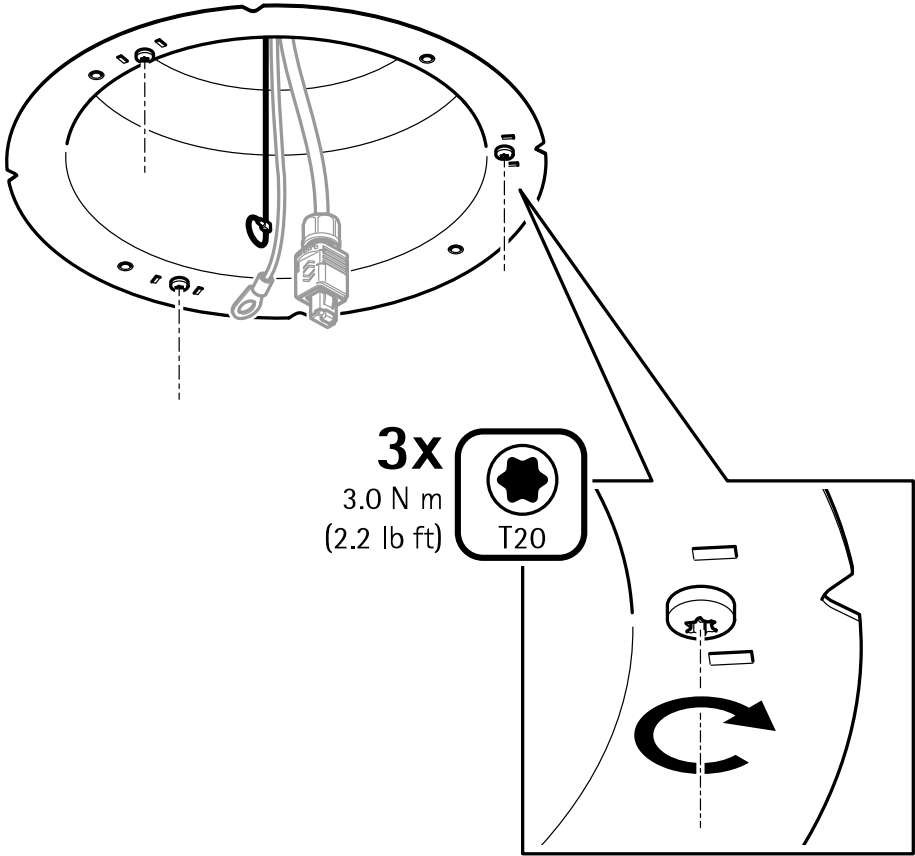
1.2



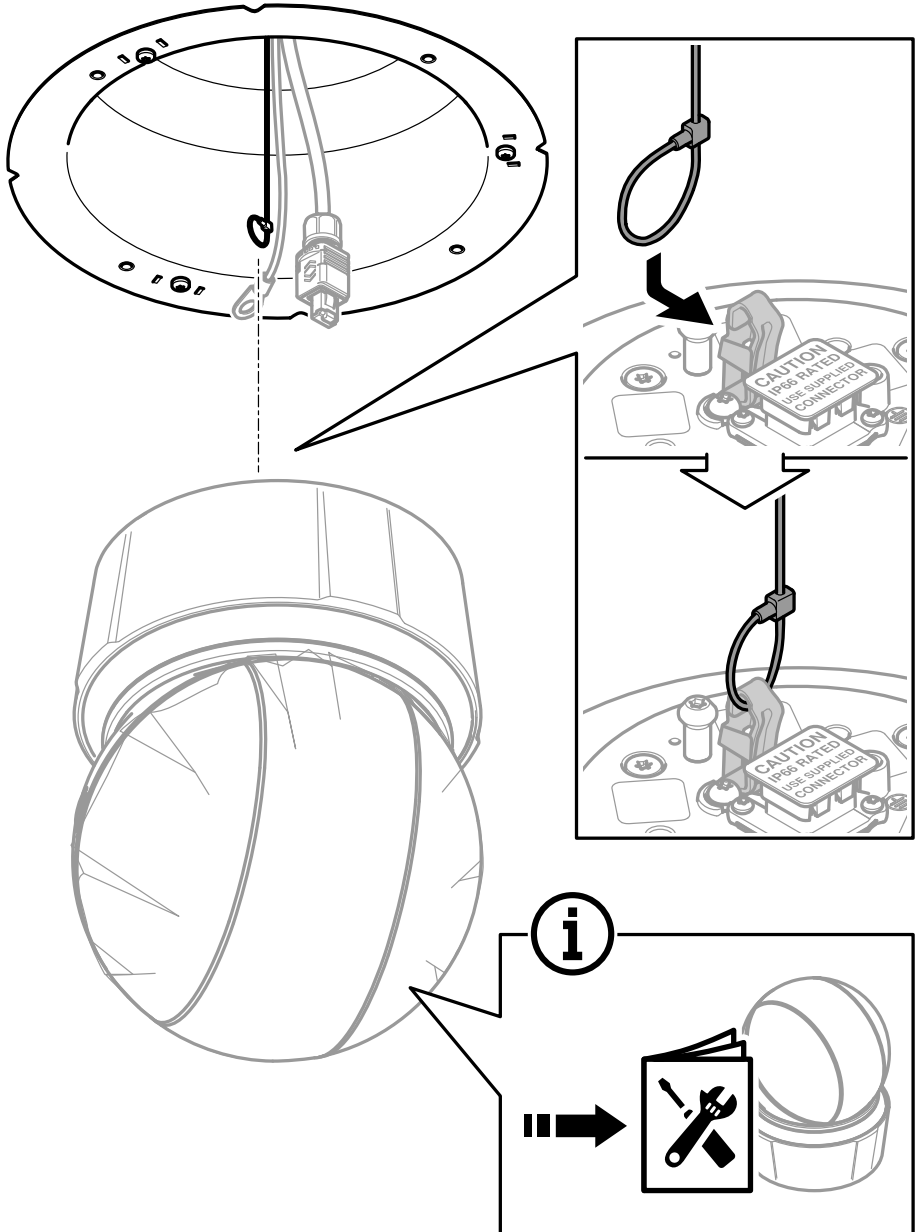
1.3



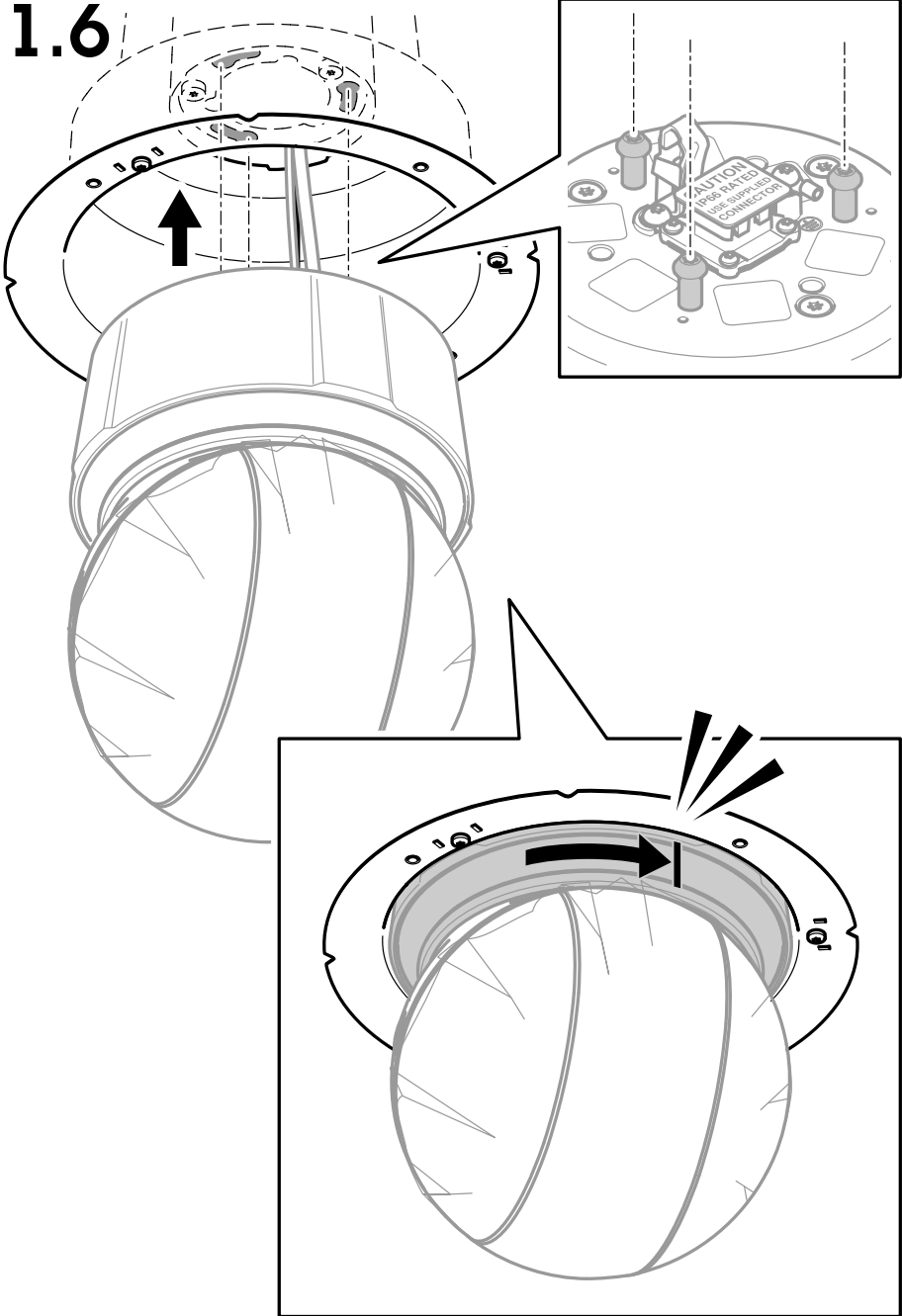
1.4



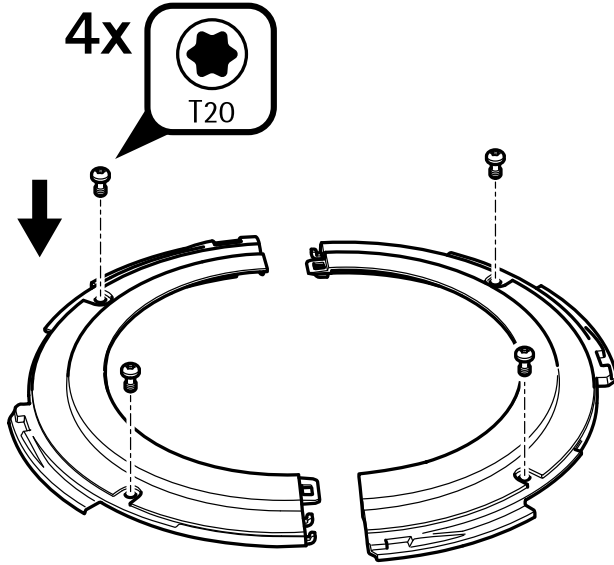
1.5



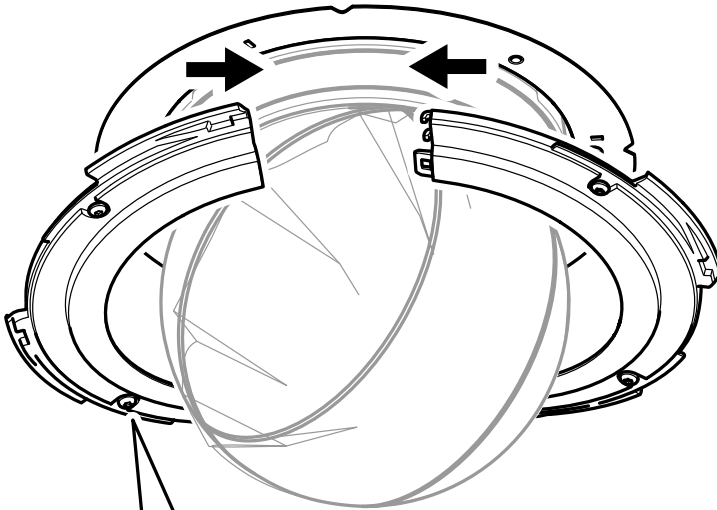
1.6



1.7



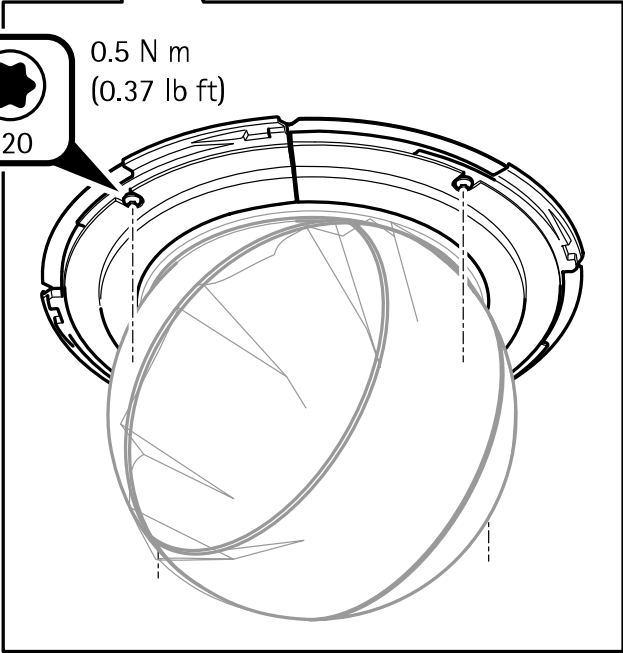
1.8



4x



0.5 N m
(0.37 lb ft)



1.9

