

VB400 BODY-WORN CAMERA

The VB400 body-worn camera is designed for 21st century public safety and security.



GENERAL INFORMATION

Typical Usage	The VB400 is suited to applications where shift-long battery life and high-quality video evidence capture is required
Management Software	The VB400 represents the next generation of body-worn camera technology. Rugged build quality. High performance. Multiple ways to connect. Delivering the features you need to take control of every situation
	VideoManager 12.1 or later. Requires VideoManager Licence or Cloud Service

SIZE AND WEIGHT

Dimensions	68mm x 89mm x 26.6mm
Weight	162g, plus mounting

BATTERY

Battery	Integral, not user serviceable
Battery Type	Lithium-Polymer
Battery Recharging Times	Typically recharges in less than 8 hours
Capacity	Up to 12-hrs when used with optimum camera settings*

AUDIO

Audio Capture	Dual Microphone
---------------	-----------------

CAMERA

Switches	Five software-configurable switches (top switch, two small front switches and large central switch) and a slide switch (side mounted)
Lens Capture Angle	120° horizontal, 65° vertical, 140° diagonal
Day / Night Operation	Supports low light conditions to 0.2 lux
Notification:	Configurable LEDs, audible and vibration alerts and notifications

CAMERA FEATURES

Peer-assisted Recording	Configurable policy to enable VB400 to record when nearby peers are recording
Holster Sensor Option	Detect the presence of a firearm, and notify the VB400 when it's unholstered
Pre / Post-Record Facility	Full-shift pre / post-record, with up to 2 minute pre / post-recording buffer
RFID Assignment	Use RFID to allocate cameras to users. This enables efficient pooled issue of cameras, or RFID controlled personal allocation
Bookmark Footage	Instantly mark important video footage by pressing a configured switch or button
Recording Status User Notification	Vibration, visual and audible notification
GPS	Integral GPS receiver. Mark video streams and recordings with location, and provide location data to management software
Bluetooth®	BT 2.1 + EDR, BLE 4.2

*Features such as Wi-Fi impact battery life.

VIDEO AND RECORDING

Video Recording Format	H.264 format with H.265 in future release
Resolution	1920x1080p, 1280x720p and 640x360p
Frame Rate	25 or 30 frames per second
Recording Storage Capacity	64GB

APPROVALS AND ENVIRONMENTAL

Ingress Protection	IP67
Environmental Temperature	Operating: -20°C to +50°C
Operational Rating	Charging: 0°C to +25°C
Drop Tested	Tested to MIL STD 810G

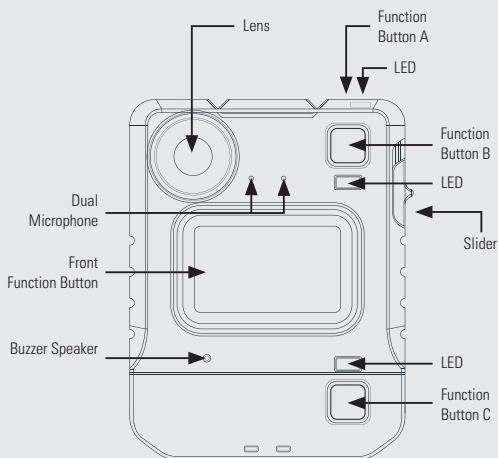
WI-FI® FEATURES

Wi-Fi Specifications	802.11 a/b/g/n (2.4GHz & 5GHz)
Wi-Fi Security	WPA2-PSK
Wi-Fi Streaming	640x360 25 or 30 fps

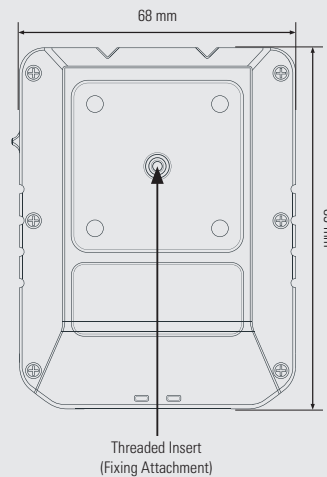
SECURITY

Network Data Security on USB Storage Media	VB400 does not appear as a USB storage device, and cannot receive files whilst connected to a Wi-Fi network
Digital Evidence Integrity Chain	Full audit trail with generated check-sums and watermarked evidential outputs
Audit Trail	Usage, operations and recording details all audit-logged and indexed
Video Downloading Protected by Encryption	AES, encrypted keys specific to base station
Recordings View, Copy and Deletion Ability	The VB400 wearer cannot access, view or delete any recordings directly from the device
Storage Media Access	Sealed unit with no user access to storage media

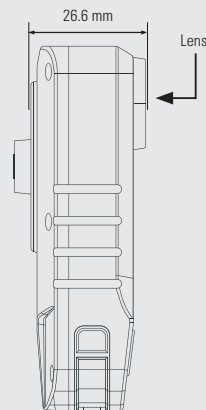
View on Front Face



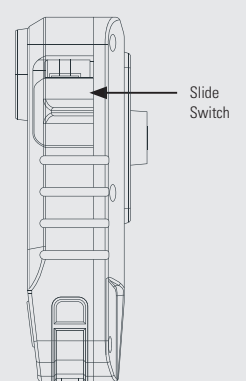
View on Back Face



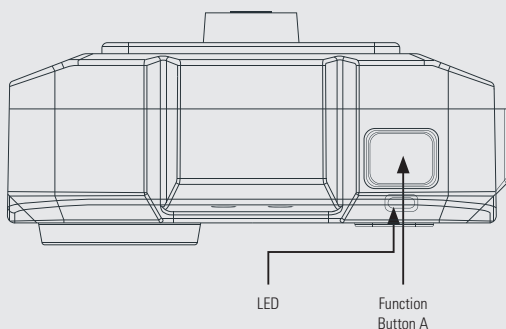
View on Right Face



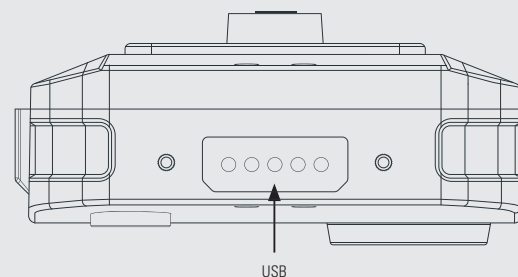
View on Left Face



View on Top Face



View on Bottom Face





VB400

ACCESSORIES

VB-440-64-QR-N & ACCESSORIES

VB400 (VB-440-64-QR-N) - SUITABLE FOR ATTACHING TO THE QUICK RELEASE FIXING OPTIONS



Features include:

Wi-Fi streaming, Built-in GPS functionality, Bluetooth sensor monitoring, Ruggedised exterior, 64GB storage, Slimline battery (up to 12hrs recording time), 1 year manufacturer's warranty.

PLEASE NOTE: Requires VideoManager Enterprise Licence or VideoManager Cloud Service. Please speak to your account manager for further details.

PART NUMBER: VB-440-64-QR-N



CHARGERS, DOCKCONTROLLERS, RFIDS & CUSTOM DISPLAY STICKERS

Keep your cameras functioning at all times with these essentials.

VB-400-DOCK-SOLO	VB400 1-Port Dock
VB-400-DOCK-14/UK, VB-400-DOCK-14/EU, VB-400-DOCK-14/US, VB-400-DOCK-14/AUS, VB-400-DOCK-14/ROW	VB400 14-Port Dock
DC-200/UK, DC-200/EU, DC-200/US, DC-200/AUS, DC-200/ROW	DockController DC-200
RF-220	RFID RF-220
RF-STICKER-10	RFID Sticker-Style Tag (x10)
RF-CARD-10	RFID-Card (x10)
VB-400-ID-CUS-ART	Custom VB400 Front-button Sticker (Design)
VB-400-ID-CUS-100, VB-400-ID-CUS-250, VB-400-ID-CUS-1000, VB-400-ID-CUS-5000	Custom VB400 Front-button Sticker (Print) Can be ordered in the following amounts: 100, 250, 1000, 5000



QUICK RELEASE FIXINGS

VB-400-QR-KFSTUD	Klick Fast Quick Release Stud
VB-400-QR-KFTILT	Klick Fast Quick Release Tilt Mount
VB-400-QR-KFTILT2	Klick Fast Quick Release Wide Tilt Mount
VB-400-QR-SPORT	Quick Release Sports Camera Pillar



KLICK FAST HARNESSES

Klick Fast Harnesses are compatible with the **VB-440-64-QR-N** when used in conjunction with Klick Fast Quick Release Fixings. Also available for the **VB-440-64-KF-N** camera.

KF-HARN3	Klick Fast 3-Point Chest Harness
KF-HARN4	Klick Fast 4-Point Chest Harness
KF-HARN5	Klick Fast Shoulder Harness

VB-440-64-KF-N & ACCESSORIES

VB400 (VB-440-64-KF-N) - SUITABLE FOR DIRECTLY ATTACHING TO THE KLICK FAST FIXING OPTIONS



Features include:

Wi-Fi streaming, Built-in GPS functionality, Bluetooth sensor monitoring, Ruggedised exterior, 64GB storage, Slimline battery (up to 12hrs recording time), 1 year manufacturer's warranty.

PLEASE NOTE: Requires VideoManager Enterprise Licence or VideoManager Cloud Service. Please speak to your account manager for further details.

PART NUMBER: VB-440-64-KF-N



VB-400-DOCK-SOLO



VB-400-DOCK-14/UK etc.



DC-200/UK etc.



RF-220



VB-400-ID-CUS-ART



VB-400-ID-CUS-100 etc.

CHARGERS, DOCKCONTROLLERS, RFIDS & CUSTOM DISPLAY STICKERS

Keep your cameras functioning at all times with these essentials.

VB-400-DOCK-SOLO

VB400 1-Port Dock

VB-400-DOCK-14/UK, VB-400-DOCK-14/EU, VB-400-DOCK-14/US, VB-400-DOCK-14/AUS, VB-400-DOCK-14/ROW

VB400 14-Port Dock

DC-200/UK, DC-200/EU, DC-200/US, DC-200/AUS, DC-200/ROW

DockController DC-200

RF-220

RFID RF-220

RF-STICKER-10

RFID Sticker-Style Tag (x10)

RF-CARD-10

RFID-Card (x10)

VB-400-ID-CUS-ART

Custom VB400 Front-button Sticker (Design)

VB-400-ID-CUS-250, VB-400-ID-CUS-1000, VB-400-ID-CUS-5000

Custom VB400 Front-button Sticker (Print)

Can be ordered in the following amounts: 250, 1000, 5000



KLICK FAST HARNESES

KF-HARN3

Klick Fast 3-Point Chest Harness

KF-HARN4

Klick Fast 4-Point Chest Harness

KF-HARN5

Klick Fast Shoulder Harness



KLICK FAST FIXINGS

Also available for the **VB-440-64-QR-N** when used in conjunction with Klick Fast Quick Release Fixings.

KF-SCREW

Klick Fast Uniform Screw-on Dock

KF-LOOP

Klick Fast Radio Loop Dock

KF-DOCKCLAMP

Klick Fast Dock Clamp (Pocket Klick Fast Dock)

KF-DOCKEP

Klick Fast Dock Epaulette

KF-MAGMOUNT

Klick Fast Magnetic Mounting Set (Supplied w/o Magnets)

KF-MOLLEVEST

Klick Fast Dock for MOLLE Vests

VB-440-64-VF-N & ACCESSORIES

VB400 (VB-440-64-VF-N) - SUITABLE FOR ATTACHING TO THE CLOSE FIT MOUNT OPTIONS



Features include:

Wi-Fi streaming, Built-in GPS functionality, Bluetooth sensor monitoring, Ruggedised exterior, 64GB storage, Slimline battery (up to 12hrs recording time), 1 year manufacturer's warranty.

PLEASE NOTE: Requires VideoManager Enterprise Licence or VideoManager Cloud Service. Please speak to your account manager for further details.

PART NUMBER: VB-440-64-VF-N



VB-400-DOCK-SOLO



VB-400-DOCK-14/UK etc.



DC-200/UK etc.



RF-220



VB-400-ID-CUS-ART



VB-400-ID-CUS-100 etc.

CHARGERS, DOCKCONTROLLERS, RFIDS & CUSTOM DISPLAY STICKERS

Keep your cameras functioning at all times with these essentials.

VB-400-DOCK-SOLO	VB400 1-Port Dock
VB-400-DOCK-14/UK, VB-400-DOCK-14/EU, VB-400-DOCK-14/US, VB-400-DOCK-14/AUS, VB-400-DOCK-14/ROW	VB400 14-Port Dock
DC-200/UK, DC-200/EU, DC-200/US, DC-200/AUS, DC-200/ROW	DockController DC-200
RF-220	RFID RF-220
RF-STICKER-10	RFID Sticker-Style Tag (x10)
RF-CARD-10	RFID-Card (x10)
VB-400-ID-CUS-ART	Custom VB400 Front-button Sticker (Design)
VB-400-ID-CUS-250, VB-400-ID-CUS-1000, VB-400-ID-CUS-5000	Custom VB400 Front-button Sticker (Print) Can be ordered in the following amounts: 250, 1000, 5000



VB-400-VF-MAG



VB-400-VF-MOL2

CLOSE-FIT MOUNTS

VB-400-VF-MAG	Close-Fit Magnetic Mount
VB-400-VF-MOL2	Close-Fit Double MOLLE Mount

VB-440-64-ALIG-N & ACCESSORIES

VB400 (VB-440-64-ALIG-N) - COMES WITH A FACTORY FITTED ALLIGATOR CLIP



Features include:

Wi-Fi streaming, Built-in GPS functionality, Bluetooth sensor monitoring, Ruggedised exterior, 64GB storage, Slimline battery (up to 12hrs recording time), 1 year manufacturer's warranty.

PLEASE NOTE: Requires VideoManager Enterprise Licence or VideoManager Cloud Service. Please speak to your account manager for further details.

PART NUMBER: VB-440-64-ALIG-N



VB-400-DOCK-SOLO



VB-400-DOCK-14/UK etc.



DC-200/UK etc.



RF-220



VB-400-ID-CUS-ART



VB-400-ID-CUS-100 etc.

CHARGERS, DOCKCONTROLLERS, RFIDS & CUSTOM DISPLAY STICKERS

Keep your cameras functioning at all times with these essentials.

VB-400-DOCK-SOLO	VB400 1-Port Dock
VB-400-DOCK-14/UK, VB-400-DOCK-14/EU, VB-400-DOCK-14/US, VB-400-DOCK-14/AUS, VB-400-DOCK-14/ROW	VB400 14-Port Dock
DC-200/UK, DC-200/EU, DC-200/US, DC-200/AUS, DC-200/ROW	DockController DC-200
RF-220	RFID RF-220
RF-STICKER-10	RFID Sticker-Style Tag (x10)
RF-CARD-10	RFID-Card (x10)
VB-400-ID-CUS-ART	Custom VB400 Front-button Sticker (Design)
VB-400-ID-CUS-250, VB-400-ID-CUS-1000, VB-400-ID-CUS-5000	Custom VB400 Front-button Sticker (Print) Can be ordered in the following amounts: 250, 1000, 5000



For more information, please visit: www.motorolasolutions.com

Motorola Solutions Ltd. Nova South, 160 Victoria Street, London, SW1E 5LB, United Kingdom

Availability is subject to individual country law and regulations. All specifications shown are typical unless otherwise stated and are subject to change without notice. MOTOROLA, MOTO, MOTOROLA SOLUTIONS and the Stylized M Logo are trademarks or registered trademarks of Motorola Trademark Holdings, LLC and are used under license. All other trademarks are the property of their respective owners.
© 2020 Motorola Solutions, Inc. All rights reserved. (09/20) (ED-002-041-19)